

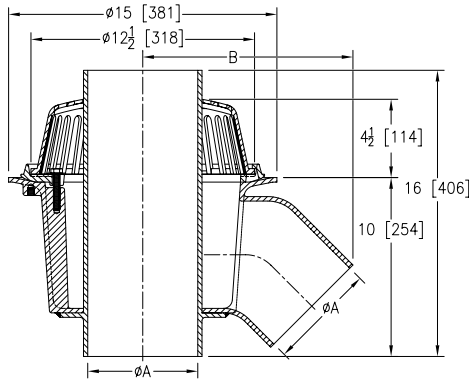
## 🕒 Z103-45 45° 15" DIAMETER DEEP SUMP DUAL OUTLET ROOF DRAIN WITH LOW SILHOUETTE DOME



### ENGINEERING SPECIFICATION

Zurn Z103-45 15" diameter dual outlet roof drain with 45° primary outlet connection features Dura-Coated cast iron deep sump body with combination membrane flashing clamp/gravel guard, overflow pipe (3", 4", and 6"), and low silhouette cast iron dome.

A Pipe Size inches [mm]	B inches [mm]	Dome Open Area sq in [cm <sup>2</sup> ]	Approximate Weight lb [kg]
3 [76]	9-7/16 [240]	103 [665]	60 [27]
4 [102]	10-1/4 [260]		
6 [152]	10-15/16 [278]		



PREFIXES	DESCRIPTION	PIPE SIZE	LIST PRICE
<b>Z103-45*</b>	D.C.C.I. Body with Cast Iron Dome	3"	<b>2,900.00</b>
		4"	<b>3,331.00</b>
		6"	<b>3,502.00</b>

#### OUTLETS (SPECIFY PIPE SIZE IN INCHES AND TYPE OF OUTLET)

OUTLET TYPE	OUTLET DESIGNATION (PIPE SIZE/OUTLET TYPE)	ADD
<b>NH</b>	No-Hub 3NH, 4NH, 6NH	<b>N/C</b>

#### SUFFIXES

SUFFIXES	DESCRIPTION	LIST PRICE	
<b>-AR</b>	Acid Resistant Epoxy Coated Finish	<b>1,355.00</b>	
<b>-C</b>	Underdeck Clamp	<b>244.00</b>	
🕒 <b>-DP</b>	Top-Set® Roof Deck Plate (Replaces -C)	<b>436.00</b>	
<b>-DU</b>	Cast Iron Dome on Overflow Pipe	3" and 4"	<b>1,202.00</b>
		6"	<b>1,832.00</b>
<b>-E</b>	Static Extension 1" thru 4" (Specify Height)	D.C.C.I.	<b>660.00</b>
		Galv.	<b>995.00</b>
		For E Extensions Greater than 4" - Per Inch (Specify Height)	D.C.C.I. <b>158.00</b> Galv. <b>242.00</b>
<b>-G</b>	Galvanized Cast Iron	<b>957.00</b>	
<b>-MS</b>	Perforated Screen on Overflow Pipe	<b>373.00</b>	
<b>-SS</b>	Stainless Steel Mesh Screen Over Dome	<b>502.00</b>	
<b>-VP</b>	Vandal-Proof Secured Top	<b>125.00</b>	
<b>-20F</b>	2" High Overflow Pipe	<b>N/C</b>	
<b>-84</b>	Stainless Steel Perforated Gravel Guard 1" thru 4"	For Each Additional 1" above 4" - Per Inch (Specify Height)	<b>784.00</b> <b>79.00</b>

#### BEST SELLERS

MODEL	LIST PRICE
Z103-3NH-3-45-DP	<b>3,336.00</b>
Z103-3NH-3-45-DP-MS	<b>3,709.00</b>
Z103-45-3NH-3	<b>2,900.00</b>
Z103-45-4NH-4	<b>3,331.00</b>
Z103-45-6NH-6-20F-DP	<b>3,938.00</b>
Z103-4NH-4-45	<b>3,331.00</b>
Z103-4NH-4-45-C	<b>3,575.00</b>
Z103-4NH-4-45-C-DU	<b>4,777.00</b>
Z103-4NH-4-45-DP	<b>3,767.00</b>
Z103-4NH-4-45-DP-E1	<b>4,427.00</b>
Z103-6NH-6-20F-45-DP	<b>3,938.00</b>
Z103-6NH-6-45	<b>3,502.00</b>
Z103-6NH-6-45-C-DU	<b>5,578.00</b>
Z103-6NH-6-45-C-E2	<b>4,406.00</b>
Z103-6NH-6-45-DP	<b>3,938.00</b>

\*Regularly furnished unless otherwise specified.

Items designated as Best Sellers are most specified and are generally in stock for shipment.

🕒 This symbol denotes a product that is engineered to reduce installation and rework time.

Supplied By:

**877-903-7246**  
www.commercialplumbingsupply.com

INTRO  
ROOF DRAINS  
FLOOR DRAINS  
T, P, BW VALVES  
INTERCEPTORS  
CARRIERS  
HYDRANTS  
CLEANOUTS  
WHA  
SS DRAINS  
FAB SS DRAINS  
SANI-FLOOR  
TECH INFO